

# CATALOG 2024



Tel.: +30.20.67 27 271  
[www.je-umbrellas.gr](http://www.je-umbrellas.gr)  
[sales@je-umbrellas.gr](mailto:sales@je-umbrellas.gr)



## Side arm umbrella - Model Creta

- ✓ Side arm umbrellas
- ✓ Single umbrella
- ✓ Double system type V
- ✓ Quadruple System

J&E UMBRELLAS was established 24 years ago. Our goal is to produce strong and beautiful professional umbrellas. Our collection includes premium side arm umbrellas, single or double or quadruple systems. We have the knowledge, experience, spare parts and personnel to support all our umbrellas.

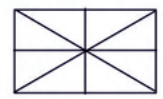
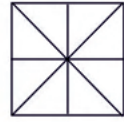
Eleni Maragkou Sigala  
Sales Manager

## Some of our precious customers



# Model: Hydra

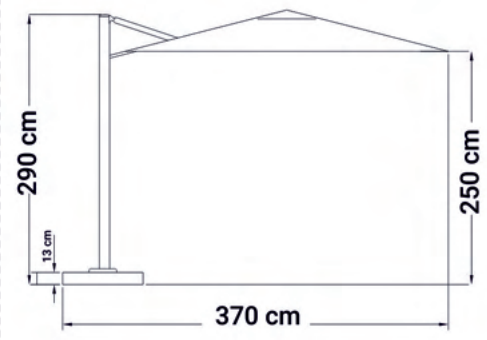
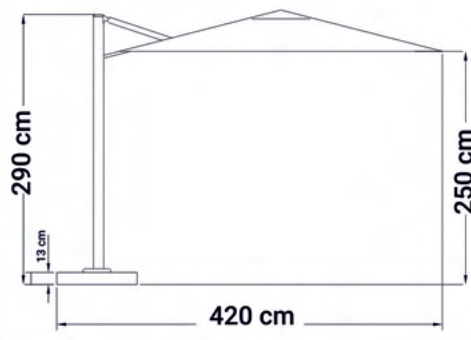
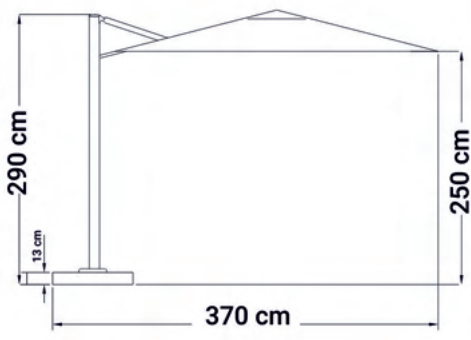
Aluminum side-arm umbrella with shaft and ribs made of aluminum. It opens with an innovative hydraulic system assisted by amortisseur. Opens and closes very easily above furniture without moving them. Frame color white or anthracite or wood. See our video to confirm how pleasant and effortless, opening/closing procedure has become.



**3x3**

**3,5x3,5**

**3x4**

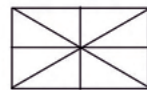
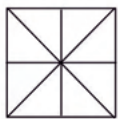


# Model: Hydra



# Model: Delos

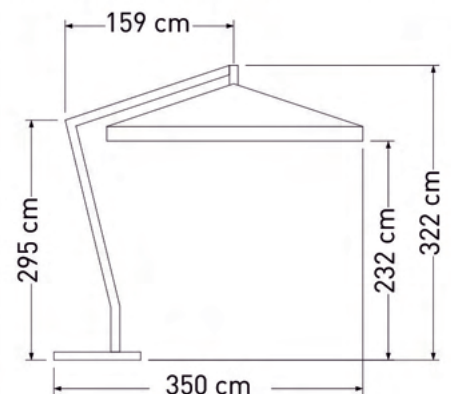
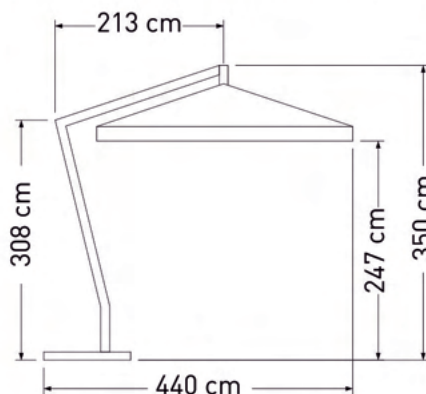
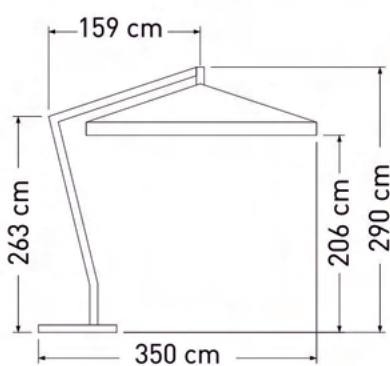
Aluminum side-arm umbrella with aluminum shaft and ribs.  
Shaft profile 92x92mm is specially reinforced. Ribs profile 30x15mm.  
For dimension 4x4 the diagonal ribs profile are 35x15mm.  
Available shaft color white or anthracite. Opening with crank mechanism, rotates 360°



**3x3**

**4x4**

**3x4**



# Model: Delos



Aluminum pot  
Dimension  
106,5X50 H 35,5cm

# Model: Kerkyra

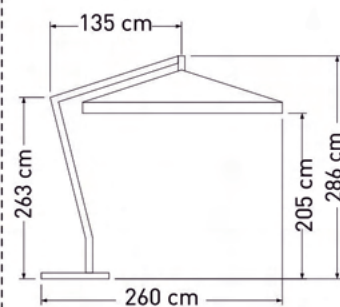
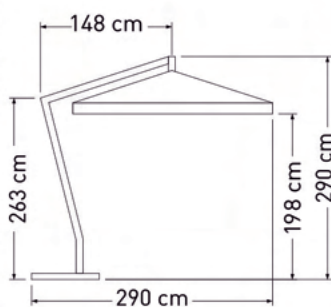
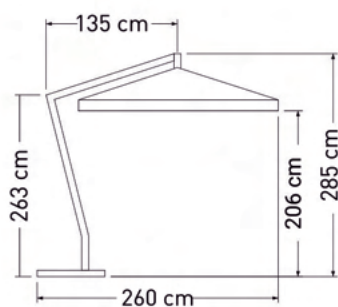
Aluminum side-arm umbrella with aluminum shaft and ribs.  
Shaft profile 72x72mm. Rib profile 30x15mm.  
Available shaft color anthracite for all dimensions and also white for 2x3 .  
Opening with crank mechanism, rotates 360° .



**2x2**

**2,5x2,5**

**2x3**



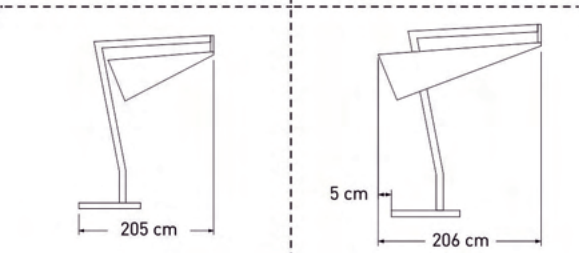
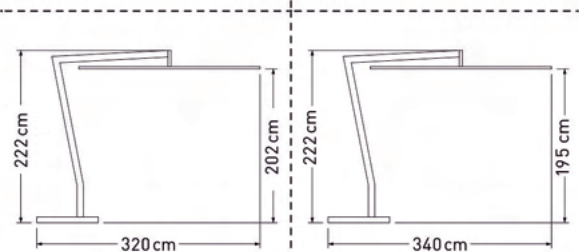
# Model: Arsida

Aluminum side-arm umbrella in flat shape with aluminum shaft and ribs.  
Shaft profile 72x72mm. Rib profile 30x15mm.  
Rotates horizontally for better shade.  
Available shaft color white or anthracite. Rotates 360°.



**2,5x2,5**

**2,8x2,8**



A flat umbrella that opens simply by hand.

1



2



3



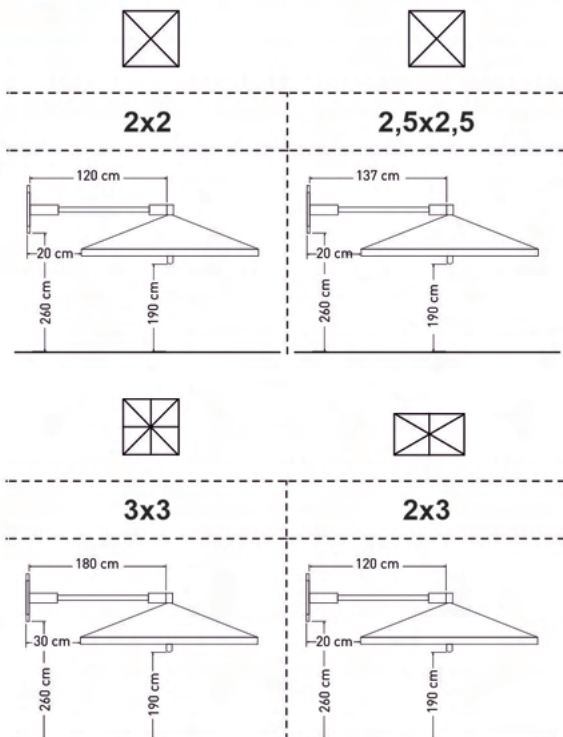
4





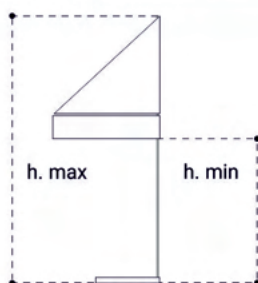
# Model: Spetses

Aluminum side-wall umbrella with aluminum shaft and ribs.  
Shaft profile 72x72mm. Rib profile 30x15mm.  
Available shaft color white or anthracite. Opening with pulley and rope.



# Model: Syros

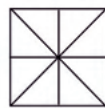
Side wall umbrella with vertical Shaft.



SIZE		1,5x2	1,5x3	2x3	2x4
HEIGHT WITH STEEL PLATE	h. max (cm)	255	255	285	315
	h. min. (cm)	192	183	218	223
PACKED VOLUME m3		0,09	0,10	0,12	0,14
POLE		6	6	6	6
RIBS		4	5	5	5

# Model: Naxos

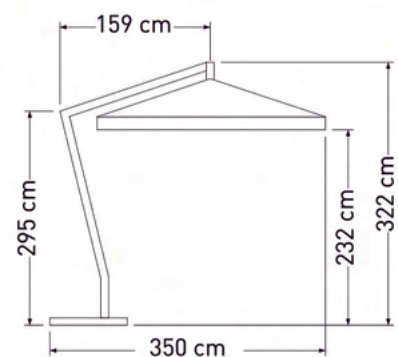
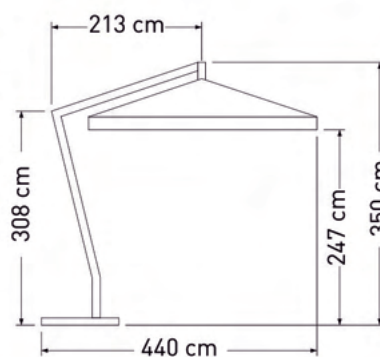
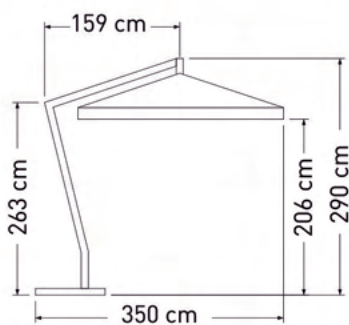
Side-arm umbrella with IPOKO WOOD vertical shaft and hardwood ribs.  
Aluminum horizontal pole.  
Shaft profile 92x92mm. Rib profile 35x17mm.  
Opening with crank mechanism, rotates 360°.



**3x3**

**4x4**

**3x4**



# Model: Naxos



See the back side of the umbrella. These 2 special screws reassure the effective rotation of the umbrella.



See the special crank mechanism for model Naxos.



Iroko wood vertical pole 92X92mm. See here the joint with side rib.



# Model: Andros

## 2 Umbrella System type "V"

Central pole 113x113mm, horizontal poles 92x92mm, ribs 30x15mm.  
 Shaft color white or anthracite or wood. Each umbrella opens separately with its own crank mechanism. Water gutter is included in the price.



SIZE		3x6	3,5x7	4x8	3x8
	h. max (cm)	324	348"V"-336"T"	386"V"-374"T"	330
	h. min. (cm)	240	254"V"-242"T"	271"V"-259"T"	235
"V" VERSION					

# Model: Folegandros



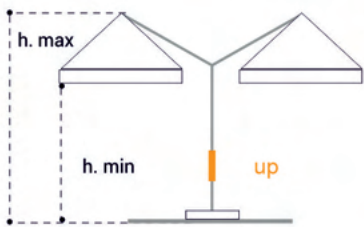
## 4 Umbrella System

Central pole 113x113mm, horizontal poles 92x92mm, ribs 30x15mm.

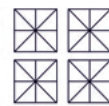
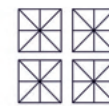
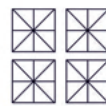
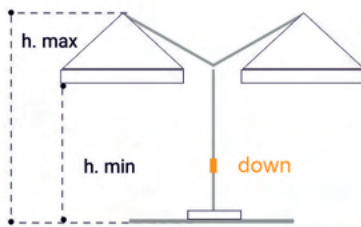
Shaft color white or anthracite or wood. Each umbrella opens separately with its own crank mechanism. Models 7x7 and 8x8 open with telescopic mechanism that lifts the hole system up, so the 4 umbrella system closes above the tables.



**A**



**B**



SIZE			6x6	7x7	8x8
<b>A</b>	HEIGHT - TELESCOPE UP	h. max (cm)	324	398	436
		h. min. (cm)	240	304	321
<b>B</b>	HEIGHT - TELESCOPE DOWN	h. max (cm)	324	348	386
		h. min. (cm)	240	254	271
REAL SIZE			605x605	715x715	815x815
PACKED VOLUME m <sup>3</sup>			0,86	1,08	1,17
VERTICAL COLUMN			11,2x11,2	11,2x11,2	11,2x11,2
UPPER POLES			9,2x9,2	9,2x9,2	9,2x9,2
RIBS			8x4	8x4	8x4

# Model: Folegandros



# ULTIMATE NANOACRYLIC – FABRIC FOR UMBRELLA AND FOR CUSHION



\*\*608-1 WHITE



608-10 GREY



608-11 GREY\*



608-12 GRAPHITE



608-17 ECRU



\*\*608-18 ECRU\*



608-20 ECRU



608-22 BROWN



608-23 BROWN



\*\*608-24 BROWN\*



608-25 MUSTARD\*



608-26 IVORY



608-35 ORANGE



608-43 BORDEAUX



608-46 MAGENTA



608-6 GREY



608-60 YELLOW



608-61 RED



608-62 ECRU



608-64 BLUE



\*\*608-65 BLACK



990-63 GREEN APPLE



608-66 TIRQUOISE



608-67 BLUE MARIN

## FABRICS

ULTIMATE  
NANOACRYLIC  
FOR UMBRELLAS

ACRYLIC 100%, NANOTECHNOLOGY FABRIC, 5-YEAR  
GUARANTEE, WATERPROOF, INDELIBLE, LOWERS  
TEMPERATURE UP TP 8° DEGREES UNDER SUN, TEX GARD EASY  
CLEAN, UV80+.



## J&E UMBRELLAS

21a Xanthou Str.  
15451 Neo Psychico  
Athens  
GREECE  
Tel. +30 210 67 27 271  
[www.je-umbrellas.gr](http://www.je-umbrellas.gr)  
[sales@je-umbrellas.gr](mailto:sales@je-umbrellas.gr)